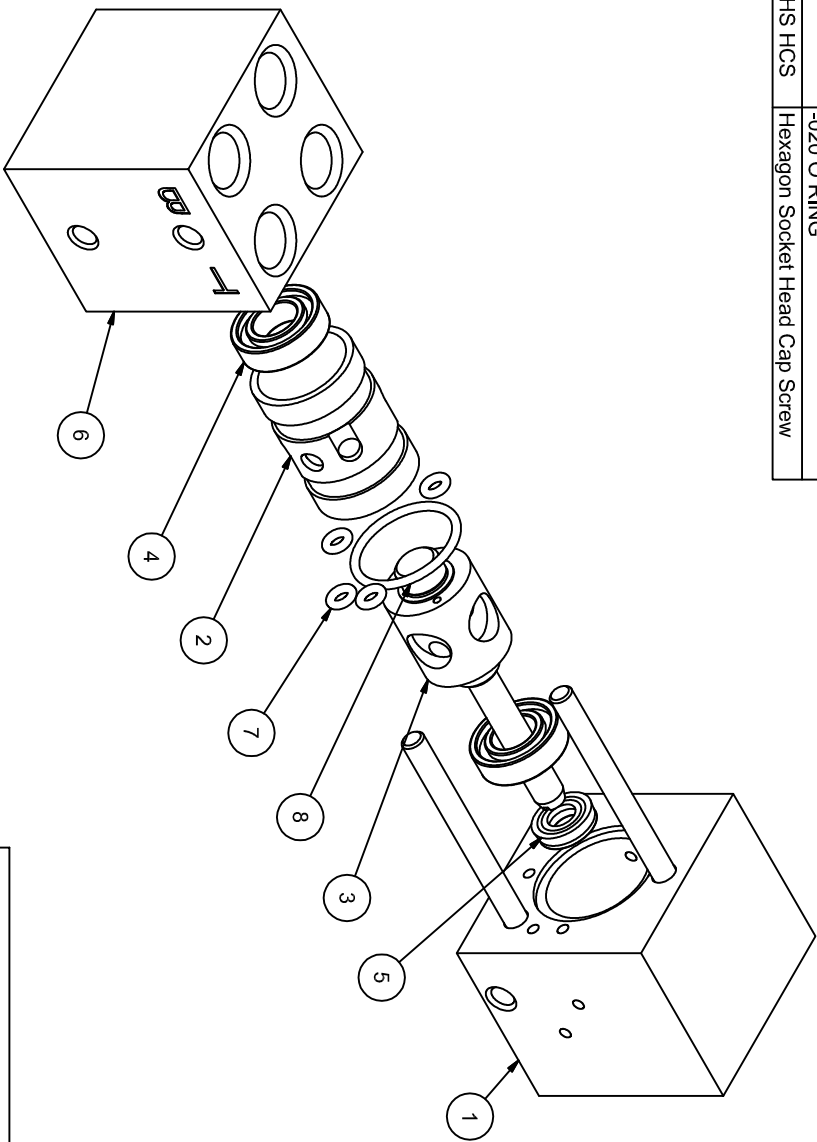


Parts List			
ITEM	QTY	PART NUMBER	DESCRIPTION
1	1	ASHBRK-2	VALVE BODY
2	1	ASHBRK-3	SLEEVE
3	1	ASHBRK-4	SHAFT
4	2	GP-124	BEARING
5	1	GP-110-3	SEAL (HIGH PRESSURE)
6	1	ASHBRK-1	MANIFOLD
7	4	GP-9006	-006 O RING
8	1	GP-9020	-020 O RING
10	3	ANSI B18.3 - 10-32 UNF - 2 HS HCS	Hexagon Socket Head Cap Screw



TITLE:	
PARTS LIST FOR ASHBROOK VALVE	
DATE:	DRAWING NUMBER:
3/24/2011	ASHBROOK VALVE EXPL.